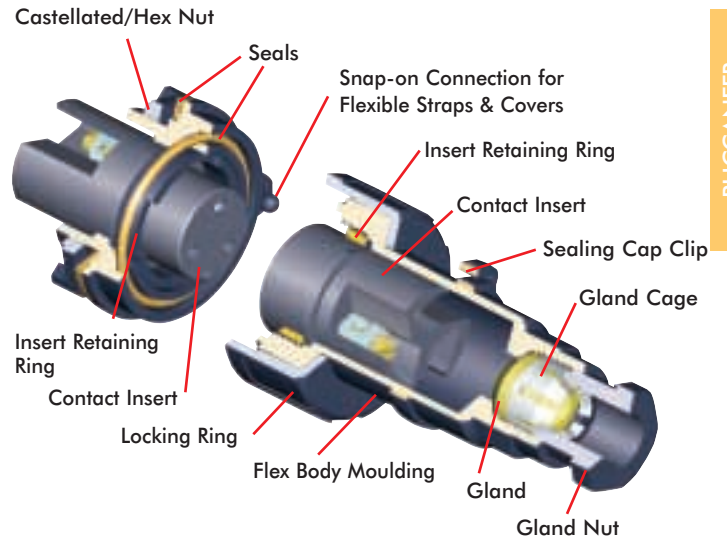




Standard Buccaneer®



BUCCANEER

- IP68 rating tested at 1.054Kg/sq cm (15lb/sq in) 10m depth for 2 weeks and 9.84Kg/sq cm (140lb/sq in) 100m depth for 12 hours
- Water and dustproof to IP68 when mated
- 2, 3, 4, 6, 7, 9 and 25 pole
- 10A, 250V a.c./d.c. 2 & 3 pole screw terminal
- 6A, 250V a.c./d.c. 4 pole screw terminal
- 3A, 250V a.c./d.c. 6 and 7 pole screw terminal
- 5A, 150V a.c./d.c. 9 pole crimp contacts
- 1A, 50V a.c./d.c. 25 pole crimp or solder contacts
- BNC versions 50Ω and 75Ω
- Plug or socket connection in each body style
- Compact design
- Diameter over coupling ring 38mm
- Sealing caps available to maintain IP68 rating of unmated connectors
- 5 body styles - flex & in-line flex, panel - single hole & flange mounting
- Leading earth contact for 3 pole socket version
- Positive locating keyways - cannot be mis-connected
- Easy assembly - no special tools required on screw terminal versions
- Cable range from 3.5mm - 9mm
- Colour coded identification variants
- UL, CSA and VDE approvals

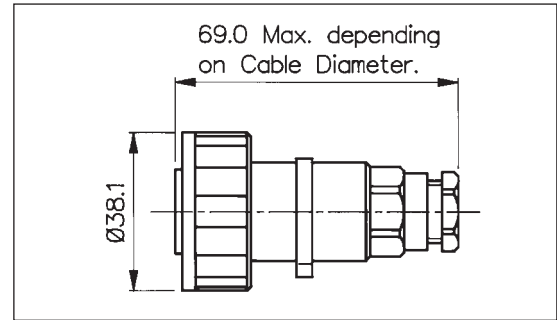
Standard Buccaneer®

FLEX CABLE CONNECTOR



PX0731/P

- Mates with In-Line Flex or Panel Mounting Versions
- Screw Locking Ring
- Pin or Socket Versions
- Leading Earth on 3 pole connectors
- Poles 2, 3, 4, 6, 7, 9, 25 or BNC
- Standard Cable Acceptance (2 to 9 pole) 6-8mm, 3.5-9mm with alternative glands



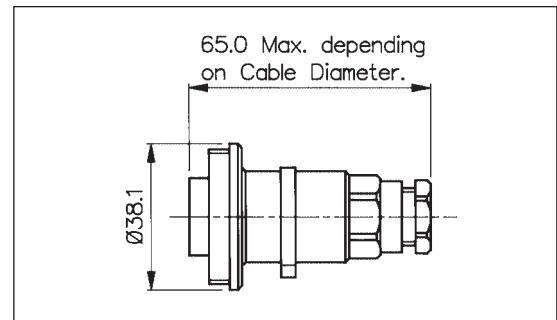
Poles	Termination	Pin Contacts	Socket Contacts	Contacts
2	Screw	PX0736/P	PX0736/S	Supplied Fitted
3	Screw	PX0731/P	PX0731/S	Supplied Fitted
4	Screw	PX0748/P	PX0748/S	Supplied Fitted
6	Screw	PX0739/P	PX0739/S	Supplied Fitted
7	Screw	PX0745/P	PX0745/S	Supplied Fitted
9	Crimp	PX0728/P	PX0728/S	Supplied Loose
25	Crimp/Solder	PX0820/P	PX0820/S	Order Separately
50ΩBNC	Crimp	PX0742/P/50Ω		Supplied Loose
75ΩBNC	Crimp	PX0742/P/75Ω		Supplied Loose

IN-LINE FLEX CABLE CONNECTOR



PX0732/S

- Mates with Flex Cable Connector
- Pin or Socket Versions
- Leading Earth on 3 pole connectors
- Poles 2, 3, 4, 6, 7, 9, 25 or BNC
- Standard Cable Acceptance (2 to 9 pole) 6-8mm, 3.5-9mm with alternative glands



Poles	Termination	Pin Contacts	Socket Contacts	Contacts
2	Screw	PX0737/P	PX0737/S	Supplied Fitted
3	Screw	PX0732/P	PX0732/S	Supplied Fitted
4	Screw	PX0749/P	PX0749/S	Supplied Fitted
6	Screw	PX0740/P	PX0740/S	Supplied Fitted
7	Screw	PX0746/P	PX0746/S	Supplied Fitted
9	Crimp	PX0729/P	PX0729/S	Supplied Loose
25	Crimp/Solder	PX0821/P	PX0821/S	Order Separately
50ΩBNC	Crimp		PX0743/S/50Ω	Supplied Loose
75ΩBNC	Crimp		PX0743/S/75Ω	Supplied Loose

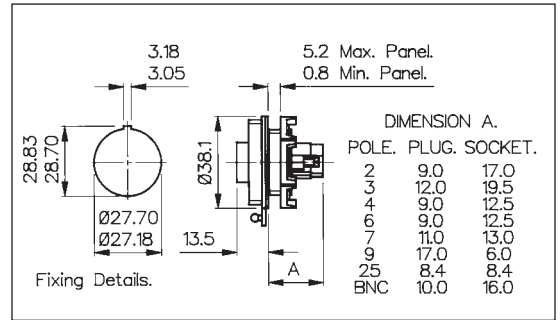
Standard Buccaneer®

PANEL MOUNTING CONNECTOR



PX0730/P

- Mates with Flex Cable Connector
- Single Hole Fixing
- Pin or Socket Versions
- Poles 2, 3, 4, 6, 7, 9, 25 or BNC



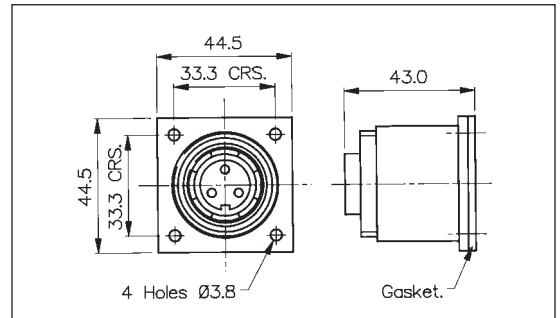
Poles	Termination	Pin Contacts	Socket Contacts	Contacts
2	Screw	PX0735/P	PX0735/S	Supplied Fitted
3	Screw	PX0730/P	PX0730/S	Supplied Fitted
4	Screw	PX0747/P	PX0747/S	Supplied Fitted
6	Screw	PX0738/P	PX0738/S	Supplied Fitted
7	Screw	PX0744/P	PX0744/S	Supplied Fitted
9	Crimp	PX0727/P	PX0727/S	Supplied Loose
25	Crimp/Solder	PX0822/P	PX0822/S	Order Separately
50ΩBNC	Crimp		PX0741/S/50Ω	Supplied Loose
75ΩBNC	Crimp		PX0741/S/75Ω	Supplied Loose

BULKHEAD FLANGE MOUNTING CONNECTOR



PX0756/S

- Mates with Flex Cable Connector
- Screw Fixing Flange
- Pin or Socket Versions
- Poles 2, 3, 4, 6, 7, 9, 25 or BNC
- Supplied with sealing gasket and screw sealing grommets



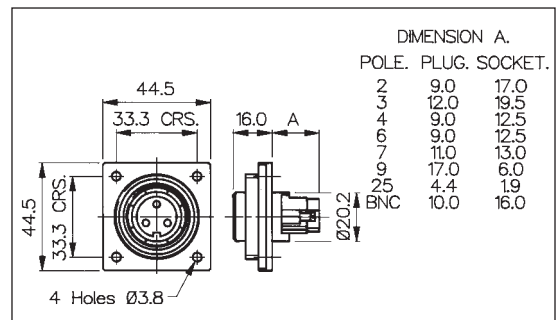
Poles	Termination	Pin Contacts	Socket Contacts	Contacts
2	Screw	PX0757/P	PX0757/S	Supplied Fitted
3	Screw	PX0756/P	PX0756/S	Supplied Fitted
4	Screw	PX0761/P	PX0761/S	Supplied Fitted
6	Screw	PX0758/P	PX0758/S	Supplied Fitted
7	Screw	PX0760/P	PX0760/S	Supplied Fitted
9	Crimp	PX0762/P	PX0762/S	Supplied Loose
25	Crimp/Solder	PX0823/P	PX0823/S	Order Separately
50ΩBNC	Crimp		PX0759/S/50Ω	Supplied Loose
75ΩBNC	Crimp		PX0759/S/75Ω	Supplied Loose

LOW PROFILE FLANGE MOUNTING CONNECTOR



PX0765/S

- Screw Flange Fixing
- Pin or Socket Versions
- Poles 2, 3, 4, 6, 7, 9, 25 or BNC
- Mates with Flex Cable Connector
- Supplied with sealing gasket and screw sealing grommets



Poles	Termination	Pin Contacts	Socket Contacts	Contacts
2	Screw	PX0764/P	PX0764/S	Supplied Fitted
3	Screw	PX0765/P	PX0765/S	Supplied Fitted
4	Screw	PX0766/P	PX0766/S	Supplied Fitted
6	Screw	PX0767/P	PX0767/S	Supplied Fitted
7	Screw	PX0768/P	PX0768/S	Supplied Fitted
9	Crimp	PX0769/P	PX0769/S	Supplied Loose
25	Crimp/Solder	PX0824/P	PX0824/S	Order Separately
50ΩBNC	Crimp		PX0763/S/50Ω	Supplied Loose
75ΩBNC	Crimp		PX0763/S/75Ω	Supplied Loose

Standard Buccaneer®

CONTACTS FOR 25 WAY INSERTS



25 way contacts

- Crimp or Solder Pins and Sockets
- Gold Plated
- 1A, 50V

ASSEMBLY TOOLS



PNo 13027 and 13170

- Crimp Tools for 9 and 25 way crimp contacts
- Insertion/Extraction Tool for 25 way contacts

CABLE GLANDS



SA3253

- Pack of alternative cable glands to suit cables from 3.5 to 9mm dia.

SEALING CAP/ASSEMBLY TOOL



PX0733
Fits all other types.

PX0734
Fits Flex Mounting types.

- Maintains IP68 Rating of Unmated Connectors
- Can be used to remove Inserts
- Two Styles, One for Flex Mount and One for Panel Mount & Flex In-Line Connector

Contacts - Solder & Crimp

Contacts (Supplied in packs of 10)	Solder	Crimp
Pins	SA3180/1	SA3180
Sockets	SA3179/1	SA3179

Tools

Crimp Tool (25 Way)	PNo. 13170
Crimp Tool (9 Way)	PNo. 13826
Insertion/Extraction Tool (25 Way)	PNo. 13027
Hex Cavities for BNC Inserts Centre Contact:	1.69 A/F (B.S. 'W'/ERMA XA)
Braid:	6.48 A/F (B.S. 'E'/ERMA XH)

Cable Acceptance - Standard as supplied

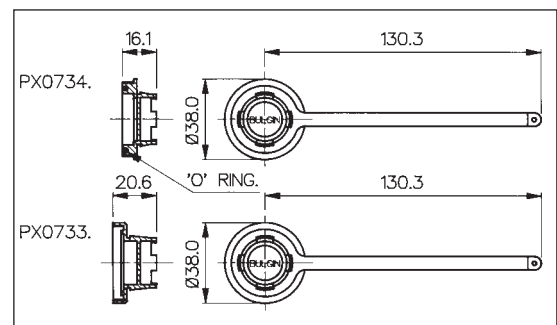
No. Contacts	Cable Diameter or Type
2-9 Pole	6-8mm
25 Pole	7-9mm
BNC (50Ω)	RG 58/CU, URM43, URM76
BNC (75Ω)	URM70

Cable Acceptance - Alternatives

Cable Diameter	Gland Part No.	Gland Colour	Additional Suffix
6-8mm	12023	Black	Standard for 2-9 pole
3.5-5mm	12023/5	Grey	Suffix /04
5-7mm	12023/1	White	Suffix /05
7-9mm	12023/2	Yellow	Suffix /07*
Gland Pack	SA3253		Pack of 3 glands to suit cables 3.5-5mm, 5-7mm & 7-9mm dia

*Note: 7-9mm gland standard for 25 way, no suffix required.

To order connector with alternative cable gland add suffix to part no. e.g. PX0731/P/07 = PX0731 connector with cable gland to suit 7-9mm dia. cable.



Standard Buccaneer®

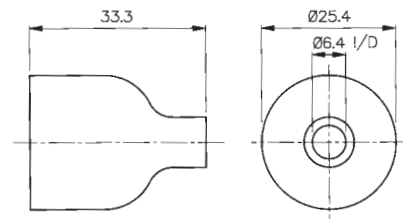
PVC INSULATION BOOT



PNo. 12855

- Protects Rear of the Connector
- Flammability Rating UL94V-0
- Fits Panel Mount Versions only

12855 for panel mounting types only.



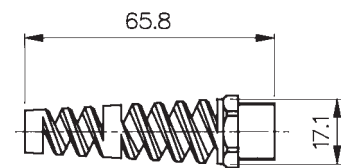
CABLE SUPPORT ACCESSORY



PNo. 12237

- Gives Extra Support to the Cable
- Suitable for 5-7mm and 7-9mm Cable Diameters

12237 provides additional cable support. Suitable for 5-7mm and 7-9mm cables.



SPECIFICATION

Electrical:

No. Poles:	2, 3	4	6, 7	9	25
Current Rating:	10A	6A	3A	5A	1A
Voltage Rating (ac/dc):	250V	250V	250V	150V	50V
Contact Resistance:	< 10mΩ (2-9 Pole) < 5mΩ (25 Pole)				
Insulation Resistance:	> 10 ¹⁰ MΩ @ 500V d.c. (2-9 Pole)				
AC Breakdown voltage:	4kV Pole - Pole (2-9 Pole) 6kV Poles - Panel (Low Profile Flange and Panel Types - 2-9 Pole) 7.5kV Poles - Panel (Other Types - 2-9 Pole)				
Operating Temp. Range:	-20°C to +70°C				
Approvals:					

Material:

Body Mouldings:	Glass Filled Polyamide UL94HB
Inserts (2-9 pole):	Glass Filled Polyamide UL94HB
Inserts (25 pole):	Polyamide UL94V-0
Contacts:	
Screw Terminal:	Brass, Nickel Plated
Crimp (9 pole):	Copper Alloy, Tin Plated
Crimp/Solder (25 Pole):	Copper Alloy, Gold Plated (0.1µm on Nickel)
BNC inserts:	Brass, Nickel Plated
BNC contacts:	Brass, Silver Plated

Mechanical:

Sealing:	IP68, BS 5490 : 1977 Tested @ 1.054Kg/sq.cm. (15lb/sq.in.) 10m depth for 2 weeks. BSEN 60529 : 1992 Tested @ 9.84Kg/sq.cm. (140lb/sq.in.) 100m depth for 12 hours.
Cable Acceptance:	2-9 Pole - standard gland: 6-8mm dia 2-9 Pole - alternative glands: 3.5-9mm dia 25 Pole - standard gland: 7-9mm dim 25 Pole - alternative glands: 3.5-7mm dim BNC 50Ω: RG 58/CU, URM43 & URM76 BNC 75Ω: URM70
Contact Accommodation:	2 and 3 pole: 4mm ² (12AWG) max 4, 6 and 7 pole: 1.5mm ² (16AWG) max 9 pole: 0.12-0.21mm ² (24-26AWG) 25 pole: 0.12-0.21mm ² (24-26AWG)
Terminations:	2-7 Pole: Screw Terminals 9 Pole: Crimp Contacts 25 Pole: Crimp & Solder Contacts
Tightening Torques:	Flex Mounting/In-Line: Gland Nut; 1.13Nm (10lbf.in.) Panel Mounting: Rear Fixing Nut; 1.7Nm (15lbf.in.) Surface/Bulkhead and Low Profile Flange Mounting: 4 Fixing Screws (using washers supplied) 0.34Nm (3lbf.in.) Sealings Caps/Locking Ring: 1.13Nm (10lbf.in.)

Standard Buccaneer®

COLOURED CONTACT INSERTS



Coloured Inserts

- With or without matching gland nut
- Positive visual identification
- Available in; Black, Blue, Green, Grey, Light Grey, Red, White and Yellow

Contact Inserts Colour Options

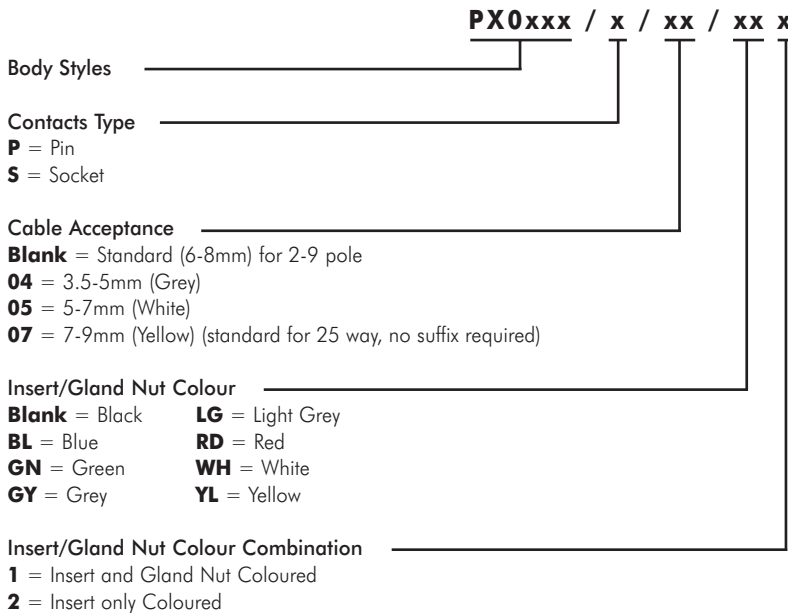
Part No Suffix	Colour
Blank	Black
BL	Blue
GN	Green
GY	Grey
LG	Light Grey
RD	Red
WH	White
YL	Yellow

Insert/Gland Nut Combinations

1	Insert and Gland Nut Coloured
2	Insert Only Coloured

e. g. PX0731/P/YL1 = Yellow insert and gland nut

PART NO SYSTEM



Example:
PX0736/P/YL1 = Flex cable connector with standard cable accommodation, 2 pin contacts, yellow coloured contact insert and cable gland.

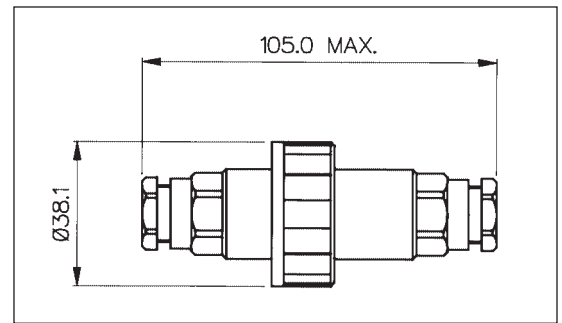
Sealed In-Line Cable Joiner

CABLE JOINER

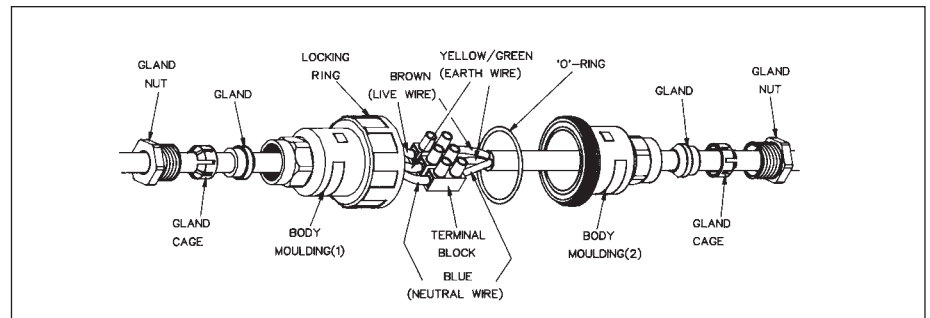


PX0777

- IP68 Rating
- For Sealed In-Line Connections
- Standard Cable Acceptance 6-8mm
- Cable Range 3.5-9mm (using alternative glands)
- Supplied with 3 way Terminal Block
- Available Moulded in Black or Orange



PX0777/OR



Specification	PX0777
Rating:	16A, 250V a.c.
Wire Termination:	3 way Terminal Block (2.5mm ² -14 AWG max)
Cable Acceptance:	6-8mm dia alternative glands available on request
Material:	Glass Filled Polyamide UL94HB
Sealing:	IP68 to BSEN 60529 : 1992 1.054Kg/sq.cm. (15lbs/sq.in.) 10m depth for 2 weeks
Operating Temp. Range:	-20°C to +70°C
Colour:	Black Orange (Add /OR to PNo.)
BNC Cable Types:	50 ohm – RG58/CU, URM43 & URM76 For BNC version of PX0777 add /50OHM to PNo.
Approvals:	Ⓢ (Standard part no. only)